

Diagram No. 9.1

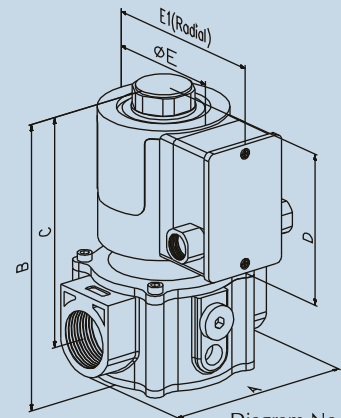
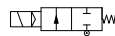


Diagram No. 9.2



Specifications :

Port : Refer below Technical Datasheet (BSP)
End Connection : Screwed
Body Material : Aluminium Pressure die cast
Diaphragm : Nitrile (NBR)
Circumstance Temp : -10 °C to 60°C
Media Temp : -30 °C to 90 °C
Media : LPG, Natural Gas, Town Gas, Air.
Main Features : Flow adjustment, Opening time adjustment, Quick release initial flow adjustment.

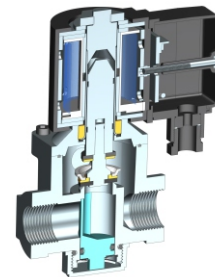
Operating Voltage :	110 AC	230 AC	12 DC	24 DC
Power Consumption :	33W	33W	33W	33W

Coil Features : High Reliability Unaffected by Voltage Surges. Easy coil changes coil lockable in 4X90 position or freely movable in between as require.
Coil Housing : Epoxy Round coil
Other Specification Data : Available on Request

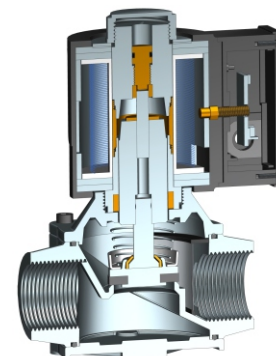
Dimension :

All dimensions are in mm

Model No.	Port Size	Diagram No.	A	B	C	D	E	E1
DAN212	1/2"	9.1	72	147	118	72	50	63
DAN408	1"	9.2	108.5	165	131	85	71	105



DAN212



DAN408

Section View

NOTE : USE OF FILTER IN THE INLET PORT IS RECOMMENDED.

- Coils are Conforming as per IEC-60335-1 With Derivatives (LVD/EMC)
- Gas Solenoid Valves Complies as per EN-161 Requirement.

Technical Data :

Model No.	Body Material	Pipe (inch)	Orifice (mm)	Min. Operating Pressure mbar	Max. Operating Pressure mbar	Seal & 'O' Ring Material	Flow Factor Kv m ³ /hr
DAN212	Aluminum	1/2"	15	0	500	NBR	4.00
DAN408	Aluminum	1"	30	0	350	NBR	13.00