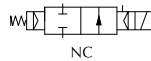


Diagram No.4.1



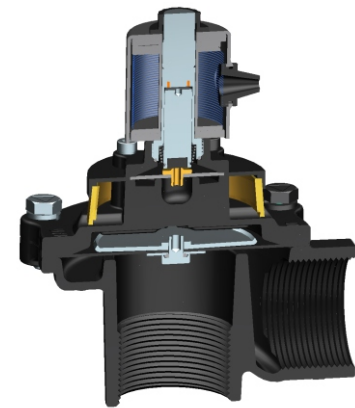
Specifications :

Port :	Refer below technical data sheet(Available BSP)				
End Connection :	Screwed				
Body Material :	Aluminum Die Cast				
Diaphragm :	Nitrile (NBR)				
Circumstance Temp :	-10° C to 90° C				
Media Temp :	-10° C to 90° C				
Media :	Air				
Main Features :	Internal Parts are in superior corrosion resistance steel (Equivalent to SS316L) Suitable for Air Pollution Control System, Bag Filter Machine				
Operating Voltage :	24 AC	110 AC	230 AC	12 DC	24 DC
Power Consumption :	7W	8W	9W / 17W	10W	11W
Coil Features :	High Reliability Unaffected by Voltage Surges. Easy coil changes coil lockable in 4X90 position or freely movable in between as require.				
Coil Housing :	Epoxy square coil, metallic round enclosure, IP-67 Flame proof enclosure, IP-68 Weather proof enclosure.				
Optional Feature :	90% Power saver series also available.				
Other Specification Data :	Available on Request - Brass Silencer to reduce extra noise.				

Dimension :

All dimensions are in mm

Model No.	Port Size	Diagram No.	A	B	C	D	E	E1
JAN47	1"	4.1	76	89	134	111	44	58
JAN67	1 1/2"	4.1	137	170	134	136	44	58



Section View

NOTE : USE OF FILTER IN THE INLET PORT IS RECOMMENDED.

Technical Data :

Model No.	Body Material	Pipe (inch)	Orifice (mm)	Min. Operating Pressure kg/cm ²	Max. Operating Pressure kg/cm ²	Seal & Diaphragm Material	Flow Factor Kv m ³ /hr
JAN47	Aluminium	1"	28.50	0.5	8.5	NBR	16
JAN67	Aluminium	1 1/2"	51.00	0.5	8.5	NBR	40